

High friction coefficient rubber Tip

Technical specifications

Weight	23g
Material	High friction coefficient vulcanized EPDM rubber, with an inside reinforcement of Nylon 66.
Contact maximum angle ⁽¹⁾	$\gamma_{max} = 22^\circ$



⁽¹⁾The maximum contact angle is defined as the maximum crutch inclination that allows a total contact of the tip with the ground. See figure 1

1. The Nylon 66 reinforcement avoids the cutting of the EPDM rubber by the carbon fiber frame, avoids the rubber cutting by the self reinforcement as occurs in the standard tips, and simultaneously decreases the total weight.

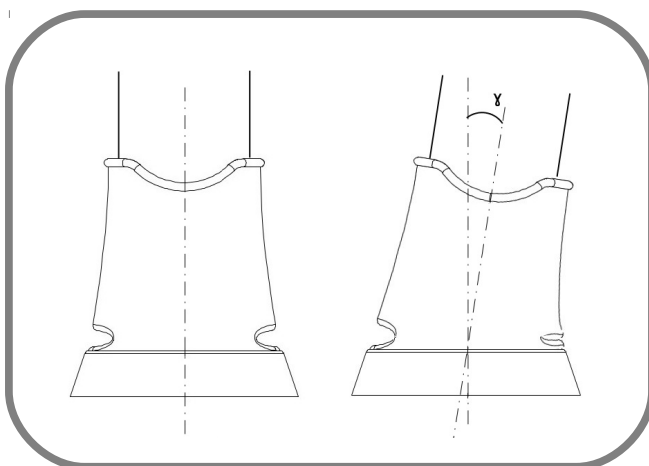
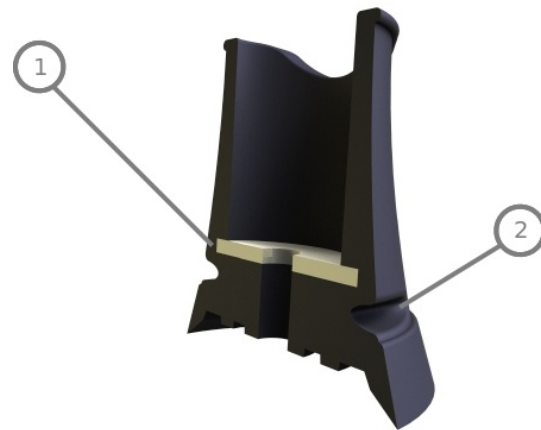


figure 1

2. INDESmed Tip has been designed to accomplish a maximum contact with the ground during all the rotating movement that carries out the user. It's unique design achieves higher contact angles than any conventional tip, increasing considerably the user safety.